

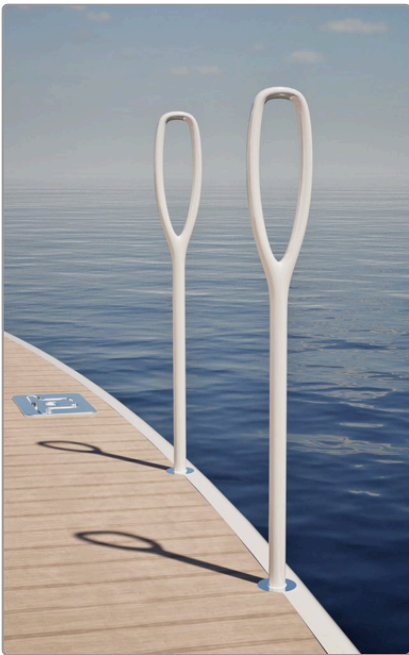
PRODUCT NAME

Boarding Poles



PRODUCT DESCRIPTION

Carbon fibre boarding poles offering secure and elegant assistance during boarding and disembarkation.



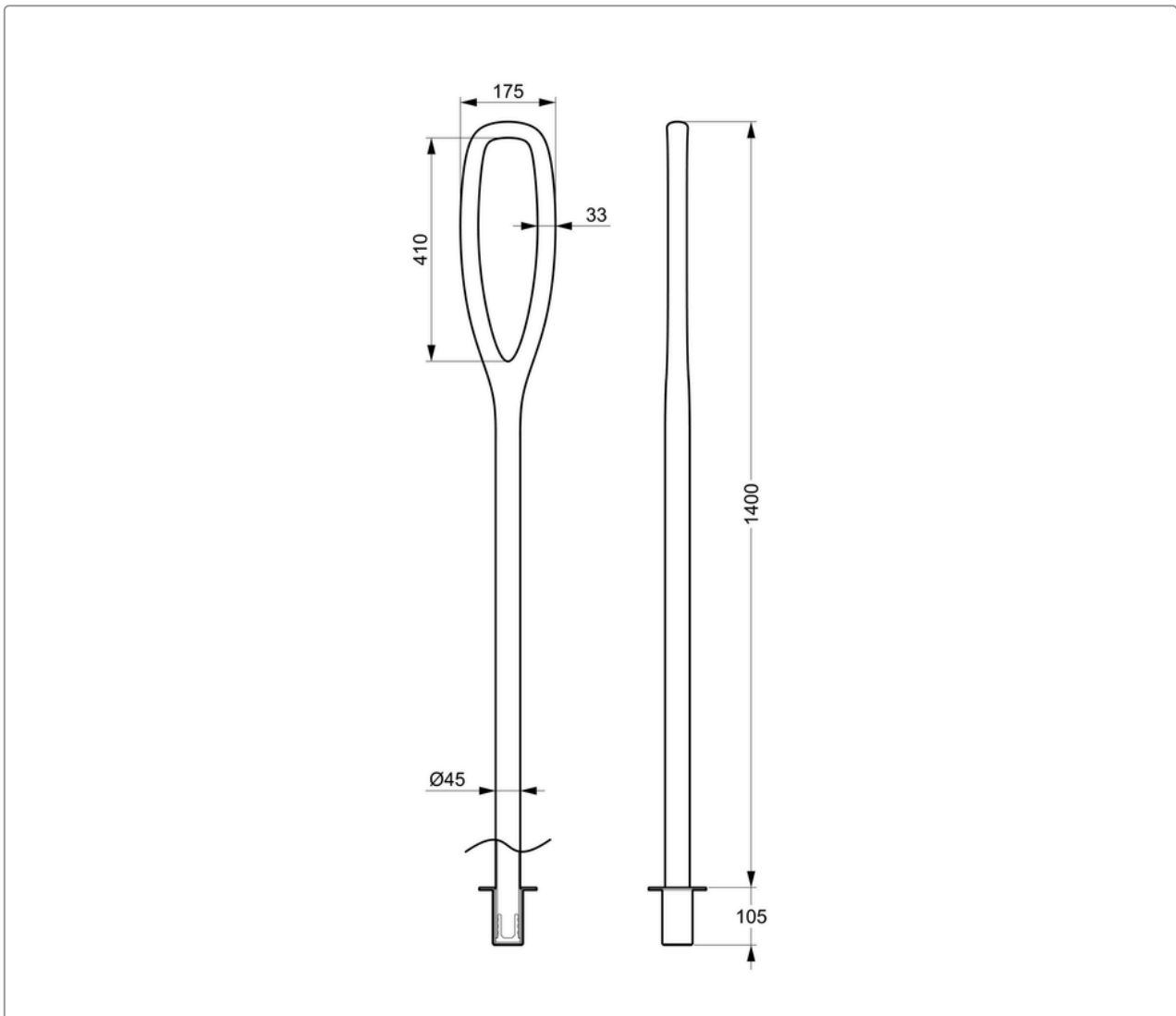
Application Domain	Yachts & Superyachts
Function	Supports stable and confident boarding
Lengths	Custom lengths available from 600 mm
Structural Material	Autoclave-cured carbon fibre
Other Characteristics	Lightweight ergonomic design for easy handling
Surface Finishes	Clear-coat carbon or paint finishes available
Socket Options	316 stainless steel locking deck socket

Boarding Poles



TECHNICAL DRAWING

Drawings shown are indicative and provided for reference only. Final dimensions are defined per project.



CONTACT

Phone (+34) 971 254 181

Email info@bmcomposites.com

Address Muelle Viejo, Edificio Espigón Exterior, RS Global Building, Office 7, 07012 Palma, Balearic Islands, Spain

Website www.bmcomposites.com