

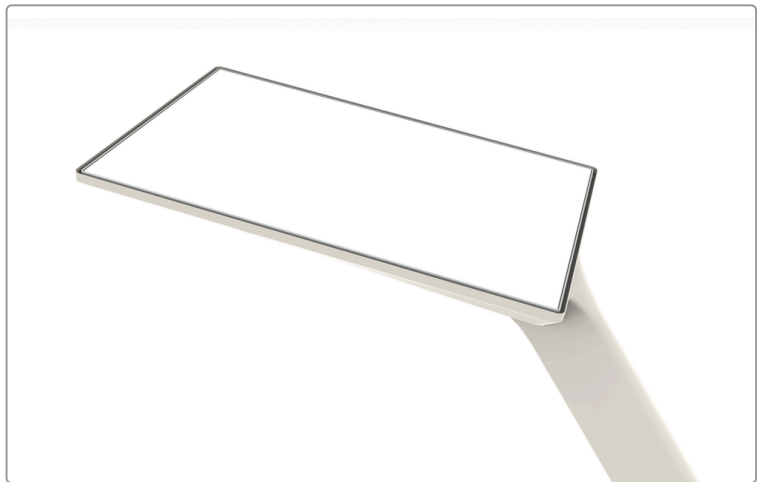
PRODUCT NAME

# Starlink Flagpole<sup>V3</sup>



## PRODUCT DESCRIPTION

Dual-purpose carbon fibre flagpole with **Starlink Performance (Gen 3)** antenna mount.



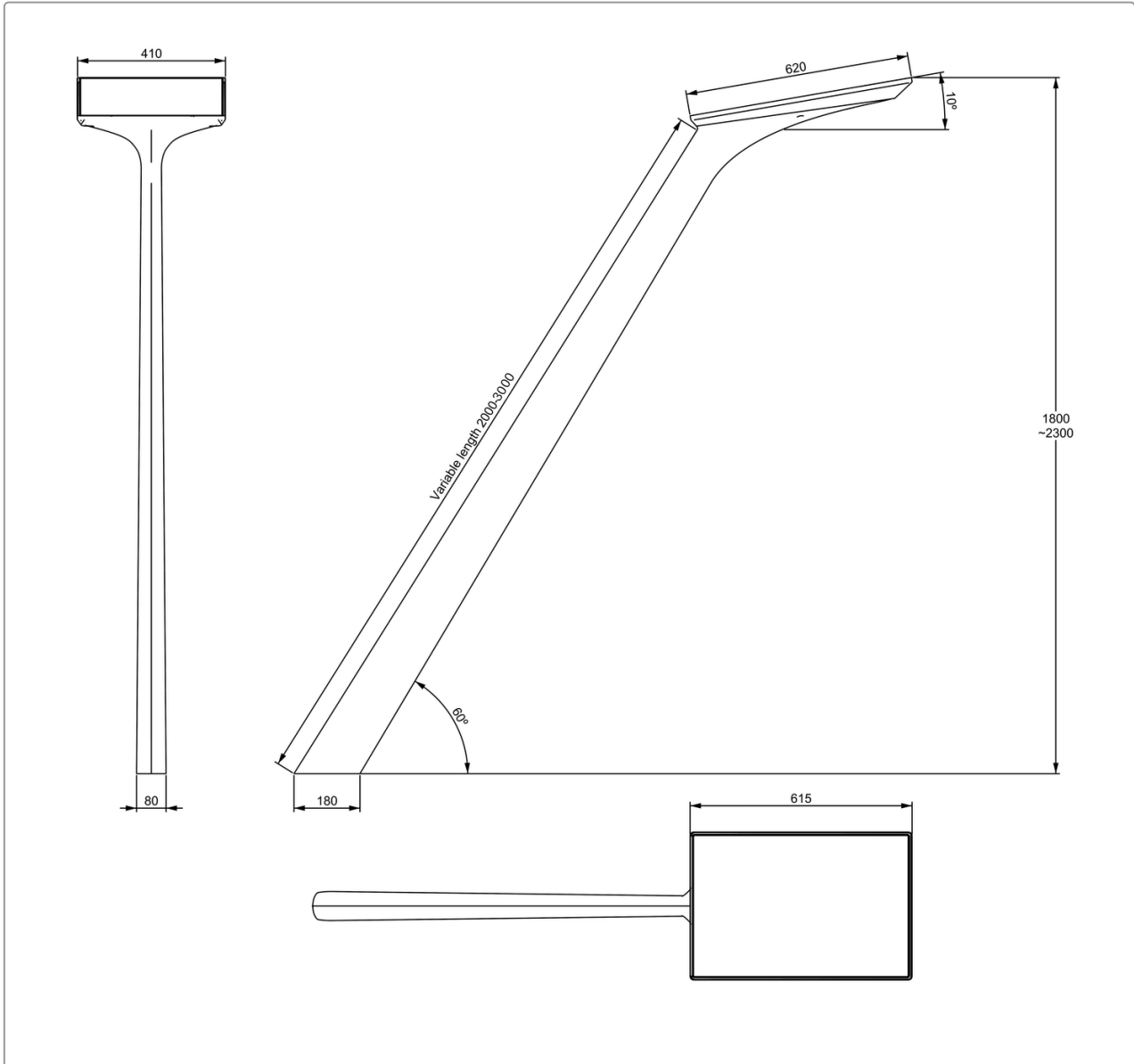
<b>Product Version</b>	Version 3
<b>Starlink Antenna Model</b>	Starlink Performance (Gen 3)
<b>Application Domain</b>	Yachts & Superyachts
<b>Function</b>	Secure antenna positioning, protection & flag display
<b>Variable Lengths</b>	2000 mm - 3000 mm
<b>Structural Material</b>	Autoclave-cured carbon fibre
<b>Other Characteristics</b>	Internal halyard with sealed access hatch
<b>Surface Finishes</b>	Yacht-matched paint finishes
<b>Optional Extras</b>	Lopo light mount

PRODUCT NAME

# Starlink Flagpole V3



## TECHNICAL DRAWING



## CONTACT

**Phone** (+34) 971 254 181

**Email** [info@bmcomposites.com](mailto:info@bmcomposites.com)

**Address** Muelle Viejo, Edificio Espigón Exterior, RS Global Building, Office 7, 07012 Palma, Balearic Islands, Spain

**Website** [www.bmcomposites.com](http://www.bmcomposites.com)