

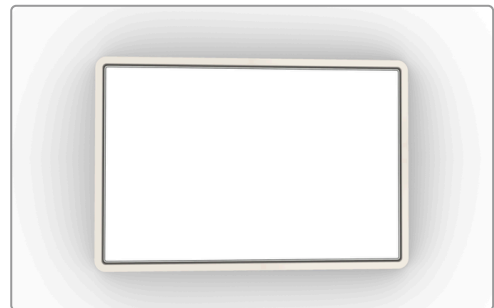
PRODUCT NAME

Starlink Spreader Mount ^{V2}



PRODUCT DESCRIPTION

Standalone mount for **Starlink Performance (Gen 3)** antenna.



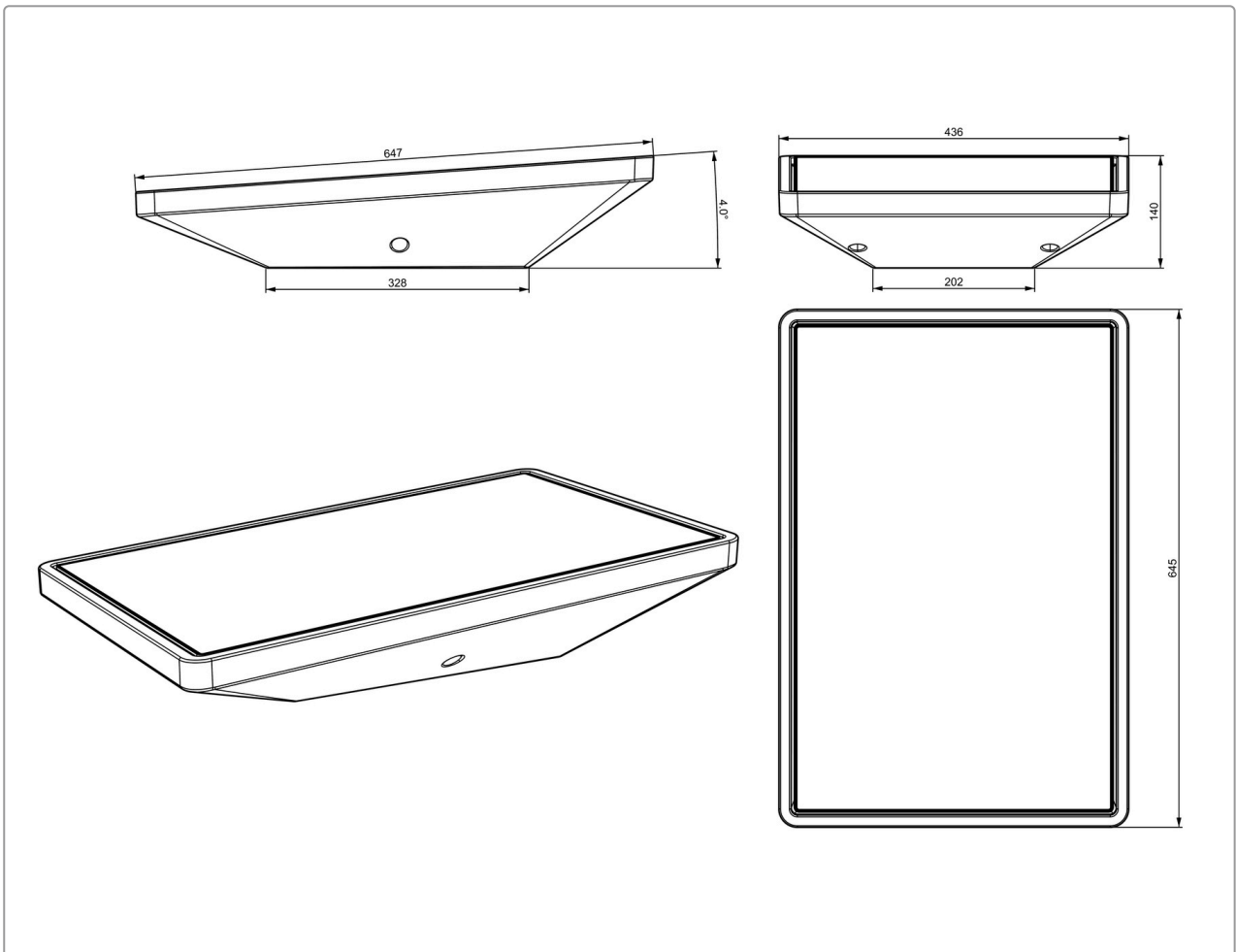
Product Version	Version 2
Starlink Antenna Model	Starlink Performance (Gen 3)
Application Domain	Yachts & Superyachts
Function	Secure antenna positioning & protection
Width	436 mm
Length	647 mm
Adjustable Lengths & Width	Not Available
Structural Material	Autoclave-cured carbon fibre
Other Characteristics	Modular design with sealed power-supply compartment
Surface Finishes	Can be supplied painted in standard colors
Optional Extras	Custom paint finishes & clear-coating available

PRODUCT NAME

Starlink Spreader Mount ^{V2}



TECHNICAL DRAWING



Page 2

CONTACT

Phone (+34) 971 254 181

Email info@bmcomposites.com

Address Muelle Viejo, Edificio Espigón Exterior, RS Global Building, Office 7, 07012 Palma, Balearic Islands, Spain

Website www.bmcomposites.com